



DAX-003-02-BN

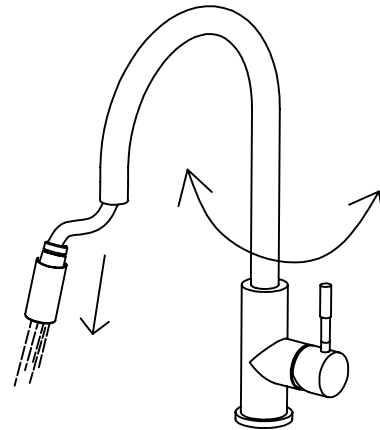
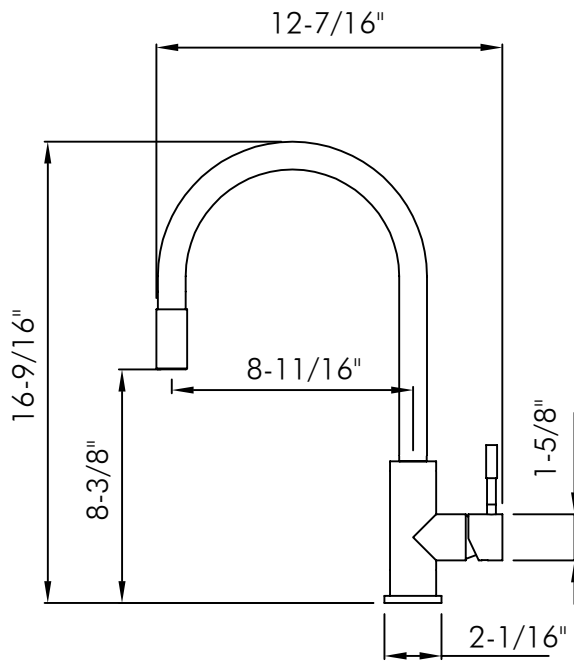


KITCHEN FAUCETS SERIES





DAX-003-02-BN



FEATURES

- Pull down shower head
- Brushed stainless steel
- 304 stainless steel body casting
- Single sprayer
- Stainless steel shower head
- Ceramic cartridge
- Flow rate 2.2 GPM
- Height 16-9/16"
- Installation hole 1-3/8"
- Water lines and mounting parts included





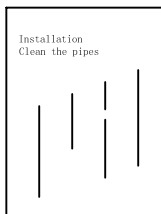
KITCHEN FAUCET DAX-003-02-BN

MODEL	DAX-003-02-BN
ANSI APPROVED	NO
ASME APPROVED	NO
WATERSENSE CERTIFIED	NO
NSF APPROVED	Passed
CONNECTION SIZE	M34
FAUCET HOLE SIZE	1-3/8"
FAUCETS HOLE	1 hole
FAUCET TYPE	Contemporary kitchen faucet
FLOW RATE (GPM)	2.2 gpm
HANDLE STYLE	Lever handle
NUMBER OF HANDLES	1
HOSE LENGTH	American 3/8 inlet hose 19-11/16"
INSTALLATION TYPE	Deck mounted
MATERIAL	Stainless steel 304 grade
FINISH	Brushed stainless steel
PULL OUT SPRAY	LENGTH 70-7/8"
PRE-RINSE	NO
SIDESPRAY	Side
SPOUT REACH	8" - 10"
SPOUT SWIVEL	360°
SPOUT TYPE	Gooseneck spout
CARTRIDGE TYPE	Ceramic (kerox brand, made in hungary)
MAX DECK THICKNESS	0 - 1-3/8"
INCLUDED COMPONENTS	Water lines and mounting parts

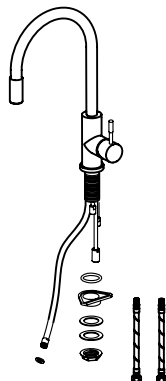




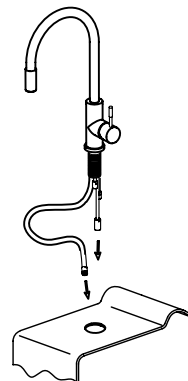
01



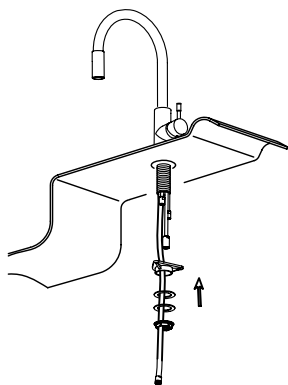
02



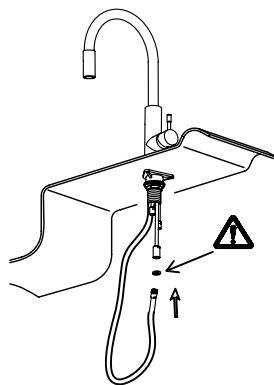
03



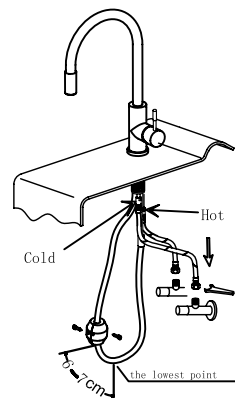
04



05



06



07

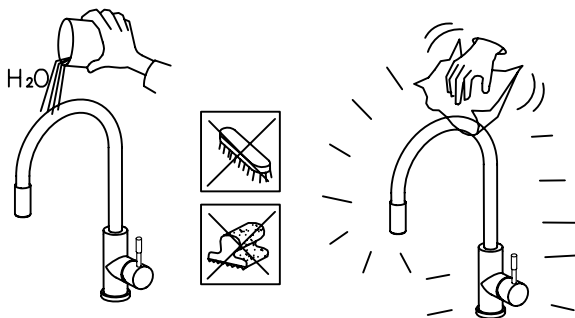
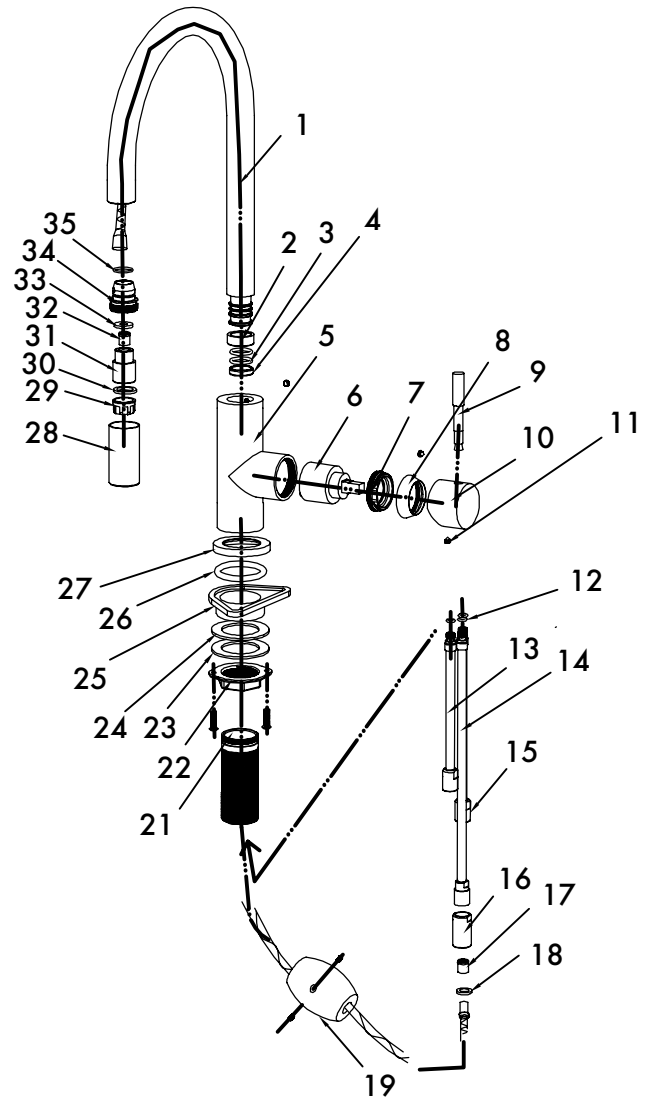




DIAGRAM NUMBER	DAX SKU	TITLE DESCRIPTION
1	0 039	Type pull the leading tube
2	0 172	Plastic ring
3		Plastic ring 21.3 * 16 * 2.65
4	0 175	Plastic ring
5	0 176	T-type pull the main body
6		Spool-K35-A
7	0 165	Gland
8	0 166	Decorated cover
9	0 174C	Handle bar
10	00 173	Handle
11		M5 * 5 Hexagon set screws
12		Rubber O 5 * 2 9 *
13	0 034	T-type pull the faucet into the water pipe 115 long
14	0 037	T-type pull the faucet into the water pipe 225 long
15	0 035	T-type pull the faucet into the water pipe 150 long
16	0 187	Fast nuts
17		Check valve 30.4010.0.0002 DW10 DN6
18		Flat rubber 14 * 8.5 * 2
19		Weight down 600g
20		Phillips head stainless steel machine wire
21	0 170B	M34 tube
22	0 018	Large nuts M34
23	0 013	Plate
24	0 017	Rubber ring
25	0 545	Bottom fixed plastic seat
26		Gum * 37.5 * 48 O 5.25
27	0 169	Base
28	0 043B	T-type pull the faucet 28 shower shell
29		Newa mouth
30		Flat rubber * 2 21 * 15



For parts or sale requirements please contact our customer service department:

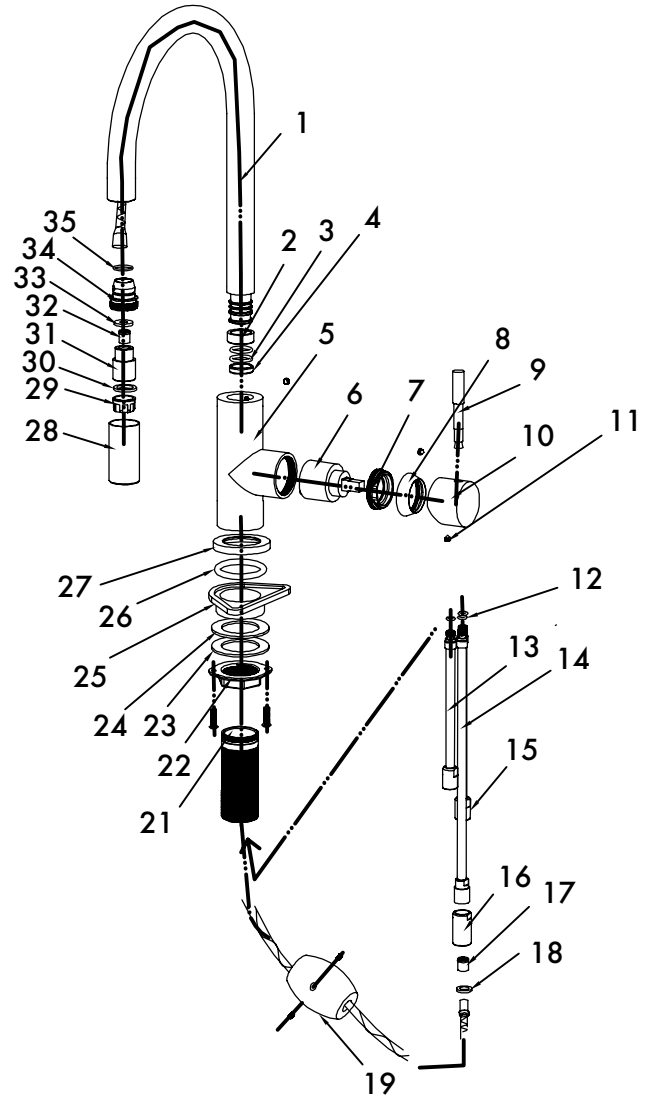
CS@daxib.com

1 888 685 8236





DIAGRAM NUMBER	DAX SKU	TITLE DESCRIPTION
31	0 042B	T-type pulling faucet 28 shower plastic core
32		Check valve 30.4010.0002 DW10 DN6
33		Flat rubber 17 * 7 * 2.2
34	0 041	Check valve
35		O gum 18.6 * 1.8 * 15



For parts or sale requirements please contact our customer service department:

 CS@daxib.com

 1 888 685 8236

